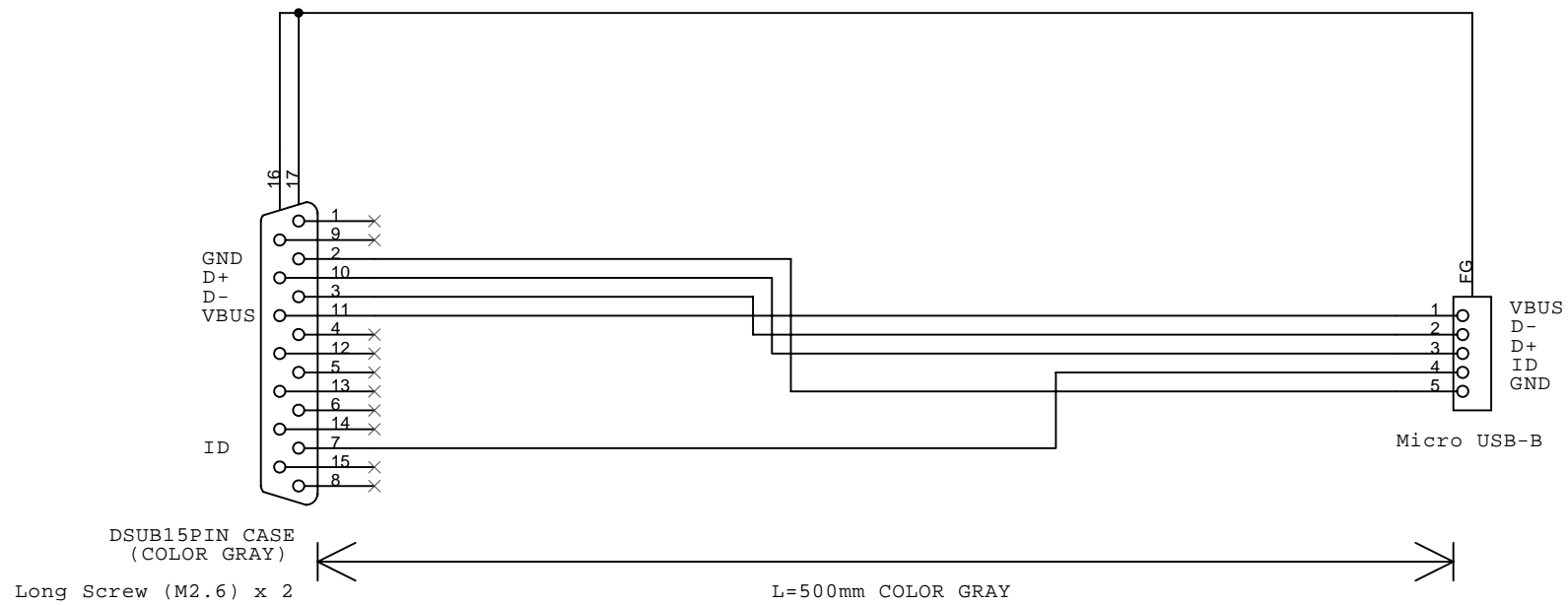


D

C

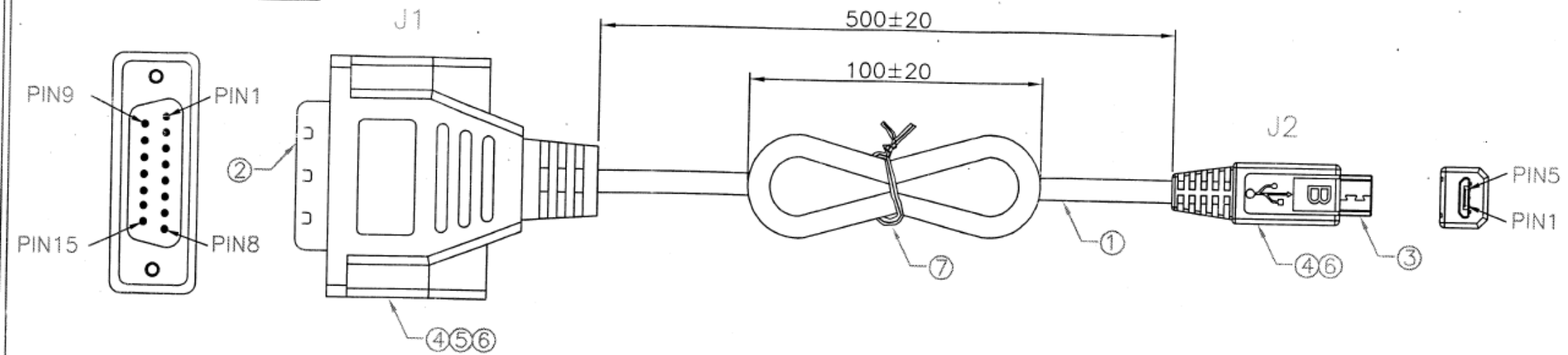
B

A



Title		
MicroUSB-DB15P		
Size	Document Number	Rev
A4	<Doc>	0.0
Date:	Tuesday, August 03, 2010	Sheet 1 of 1

Tooling No.		Type	
Head(in)	ZP-228	PE	J1
Head(out)	ZP-228	150	
Head(in)	ZP-704	125	J2
Head(out)	ZP-704	150	



⑦	12CM BLACK MINI TIE.	1PC
⑥	MOLDING MATERIAL: Black PVC	
⑤	Inner Molding : transparent PE	
④	H/S Tube:black (Meet UL)	
③	PLUG: Micro usb 5p , full pin .	1PC
②	PLUG: D-SUB 15P M, PIN GOLD FLASH	1PC
①	CABLE:UL2464 28/5C(0.127*7)+AD(7/0.127) JACK PVC:Black OD:4.0mm L=580mm	1PC
NO.	Description	Q'TY

WIRE DIAGRAM

J1	WIRE COLOR	J2
PIN2	RED	PIN5
PIN3	GREEN	PIN2
PIN7	BLUE	PIN4
PIN10	WHITE	PIN3
PIN11	BROWN	PIN1
SHELL	GROUND	SHELL

NOTES:
 1.All materials meet EURO. STD and RoHS limit
 test method: EN71, EN1122, EPA3050B